

TOPCALF DUO CALF HUTCH

The Topcalf Duo calf hutch is a mobile calf hutch for 2 calves. This calf hutch ensures a high level of comfort and hygiene for the calf. The Topcalf Duo hutch is very easy to clean thanks to the solid plastic walls and the removable slatted floor.

The calves are well protected against draught and the box is very easy to move. The Topcalf Duo hutch is optionally available with a removable separation wall. This Topcalf Duo-flex hutch is part of our Flex-line. The Topcalf calf housing equipped with separation walls can be changed into a group housing.

PRODUCT DESCRIPTION

- ✓ Frame made of galvanized steel
- ✓ Solid plastic walls
- ✓ Adjustable bars in front gates
- ✓ Removable slatted plastic floor
- ✓ 4 castor wheels
- ✓ Divisible front gates
- ✓ Optional with removable separation wall (Duo-flex, XL sizes)
- ✓ Delivered as a kit
- ✓ Available with various accessories*

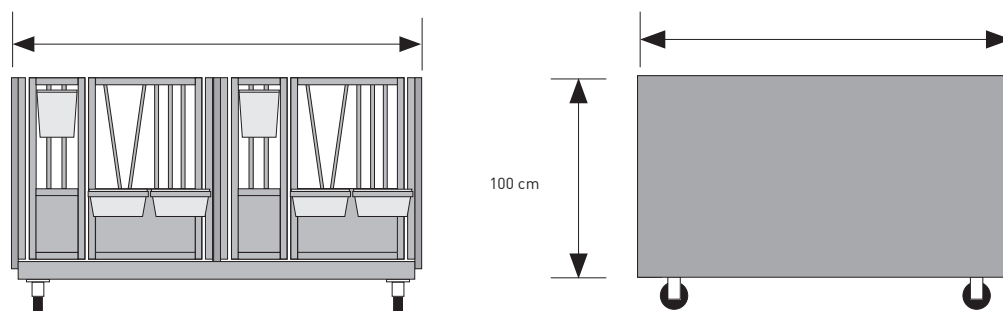
BENEFITS

- ✓ Quality: the galvanized frame ensures a long product life span
- ✓ Removable slatted floor makes it easy to clean the hutch
- ✓ The castor wheels make it easy to move the calf hutch
- ✓ The divisible front gates allow the farmer to enter the calf hutch without disturbing the calf while drinking
- ✓ The optional removable separation wall makes it possible to change the two separate boxes into a group housing
- ✓ Adjustable bars in front gate
- ✓ Available in 2 sizes: Standard and XL*

*Accessories can be found on page 30

* The Duo-flex calf hutch has the XL sizes as standard

	Standard	DUO FLEX XL	Standard	DUO FLEX XL
Dimensions outside:	97 cm [38,19"]	107 cm [42,13"]	150 cm [59,05"]	182 cm [71,65"]
Dimensions inside:	90 cm [35,43"]	100 cm [39,37"]	135 cm [53,15"]	160 cm [62,99"]



SKU	Product
56.101.050	Topcalf Duo calf hutch
56.101.060	Topcalf Duo-flex XL



Topcalf calf hutch Duo



Topcalf calf hutch Duo-flex