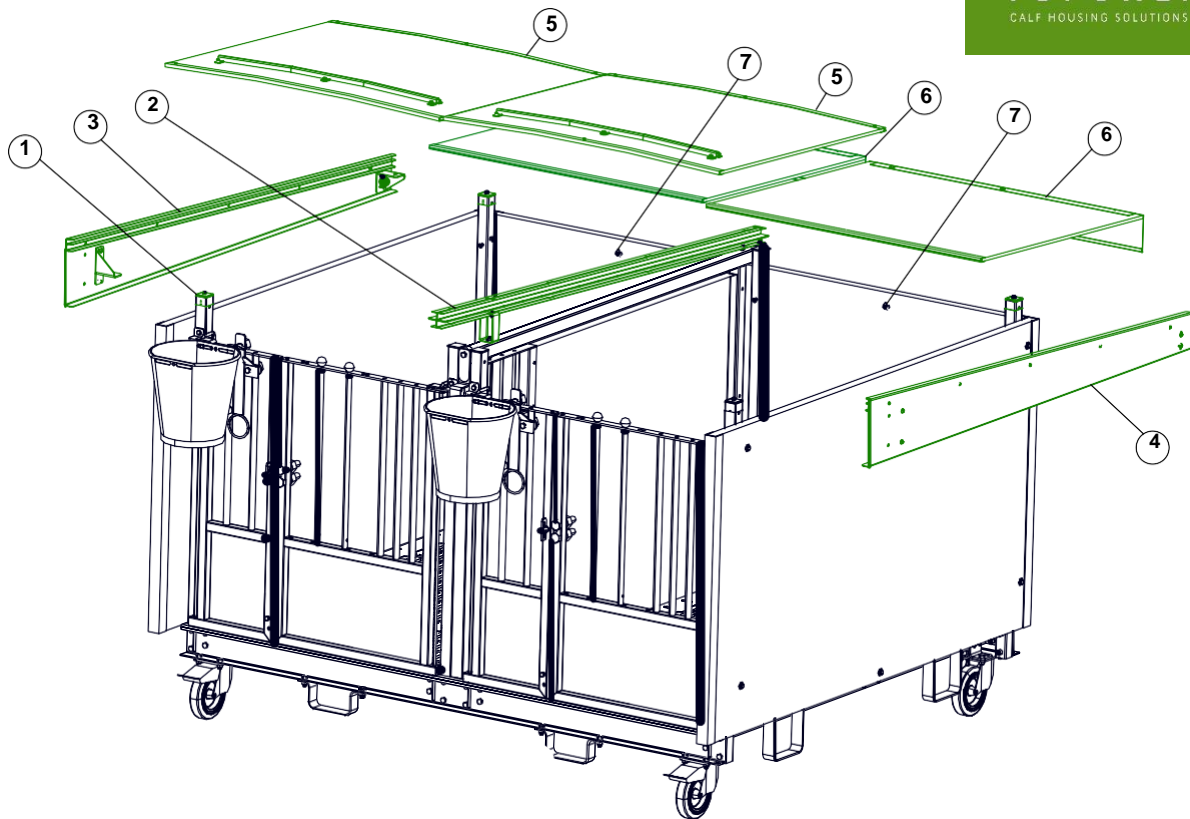
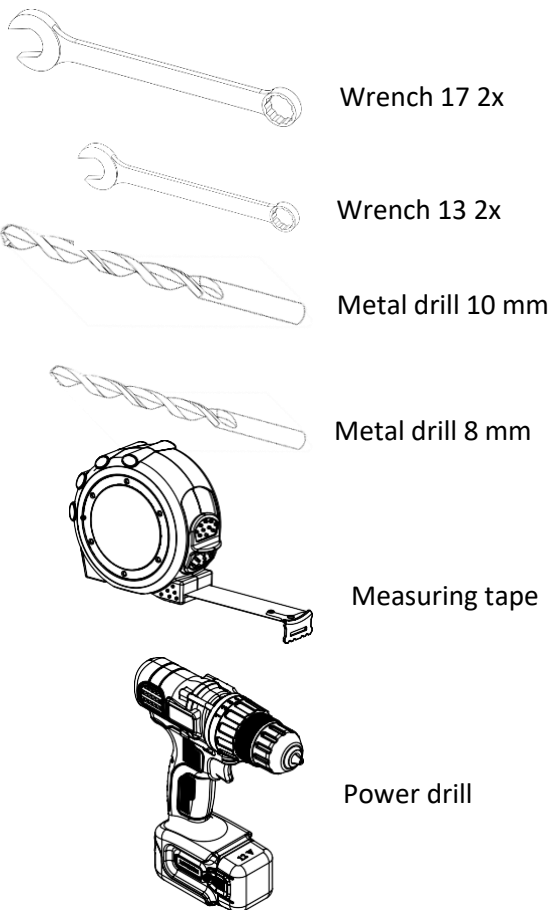
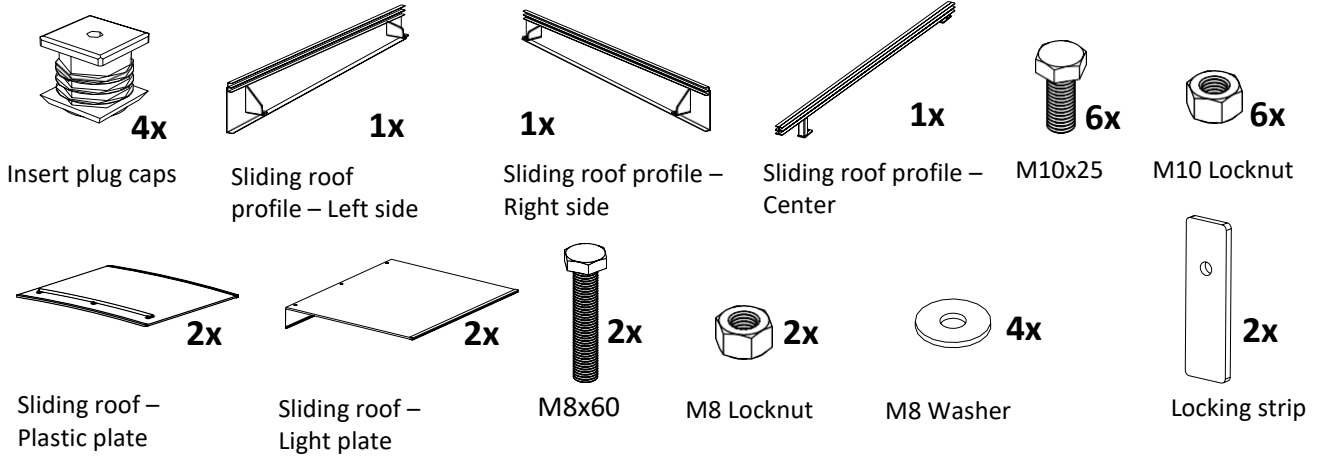


# ASSEMBLY MANUAL SLIDING ROOF DUO FLEX



Number	Name	Qty.
1	Insert plug caps	4
2	Sliding roof profile - Center	1
3	Sliding roof profile – Right	1
4	Sliding roof profile – Left	1
5	Plastic plate – Sliding roof	2
6	Light plate – Sliding roof	2
7	Locking strip	2



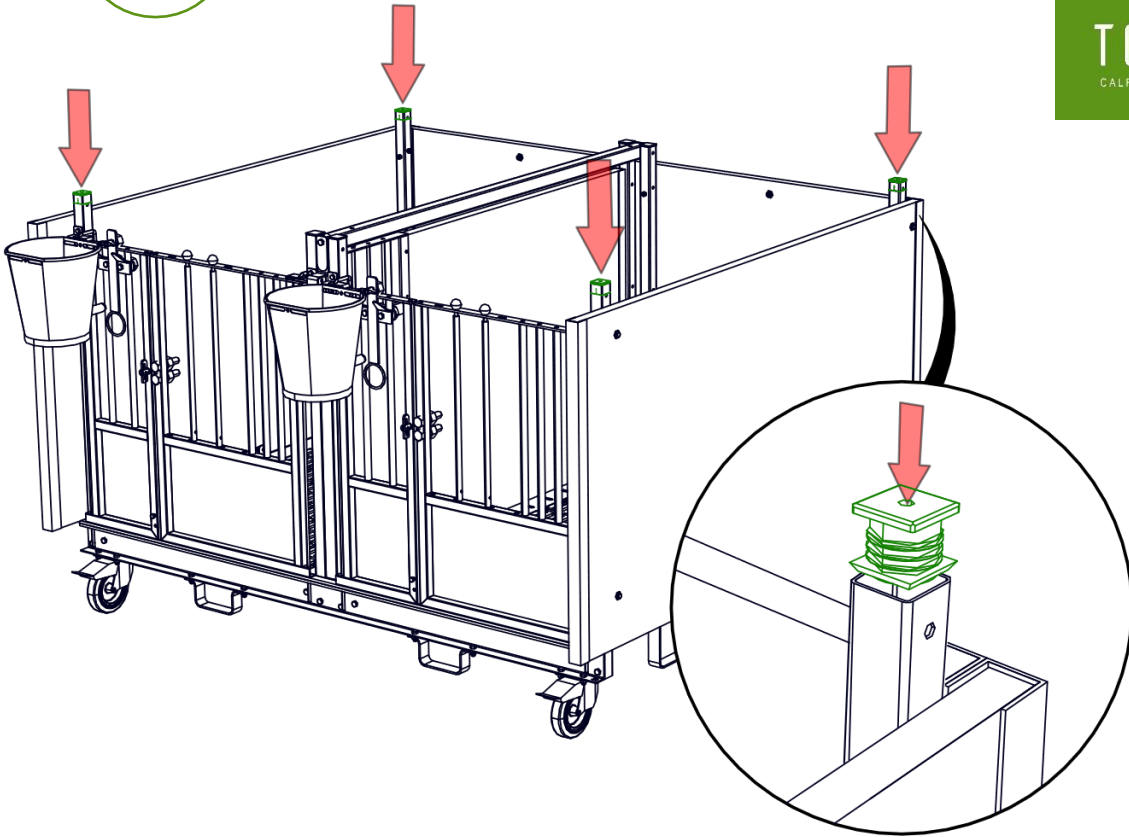
Thank you for choosing Topcalf!

Before starting we would like to point out the following:

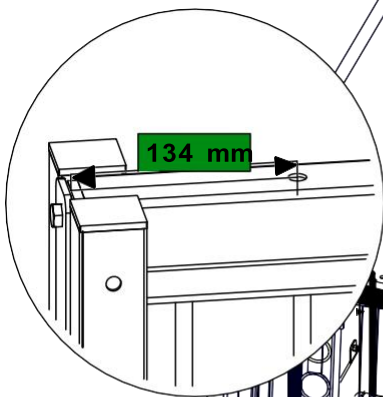
- The boxes are designed and constructed for young animals up to a maximum weight of **150 kg**;
- When mounting the walls, do not overtighten the walls as this will deform them;
- For correct assembly follow this instruction. Topcalf cannot be held responsible for incorrect assembly of the box;
- When cleaning the different parts, use cleaning products that do not damage the material. Our advice is to clean the grids and panels with a high pressure cleaner at 80 bar. Do not use a high pressure cleaner with milling head, soaking is better!



1.



**4x**  
Insert plug caps



**Ø10mm**

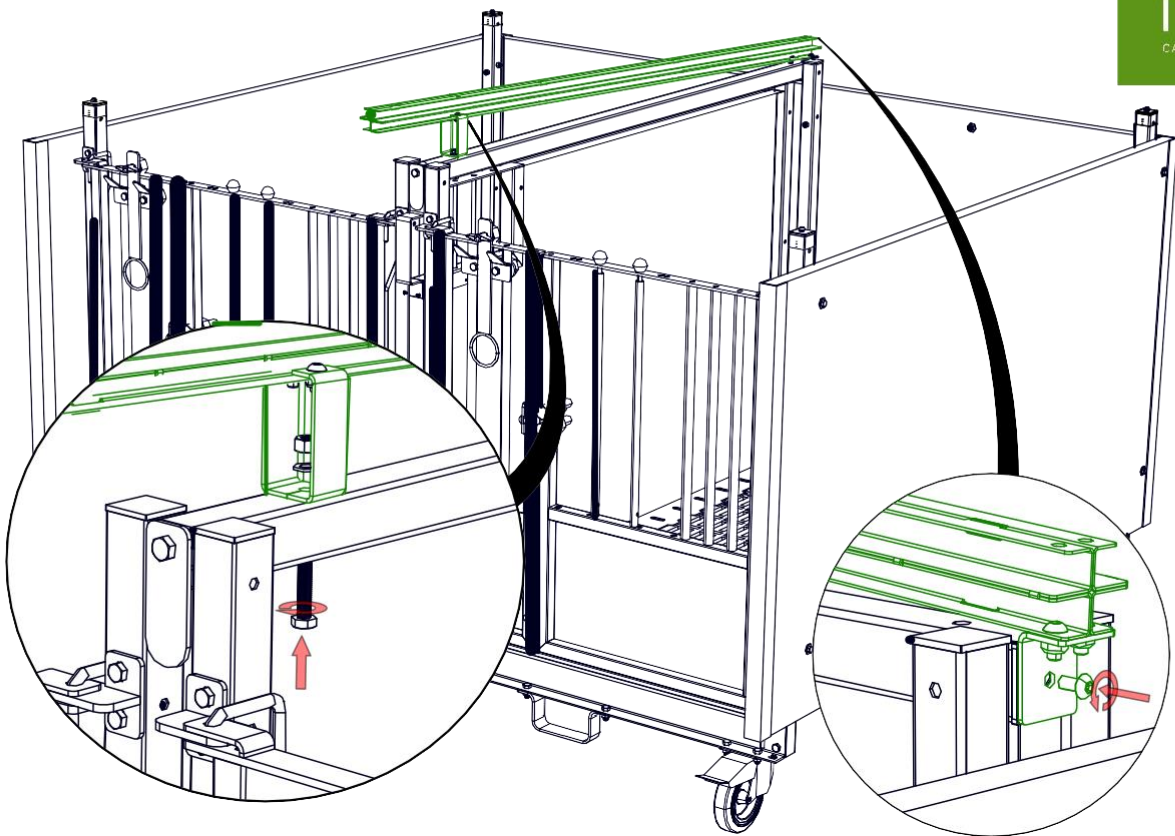
Drill 2 holes (Ø10 mm)

134mm measured from the frontside in the middle of the tube

2.

3.

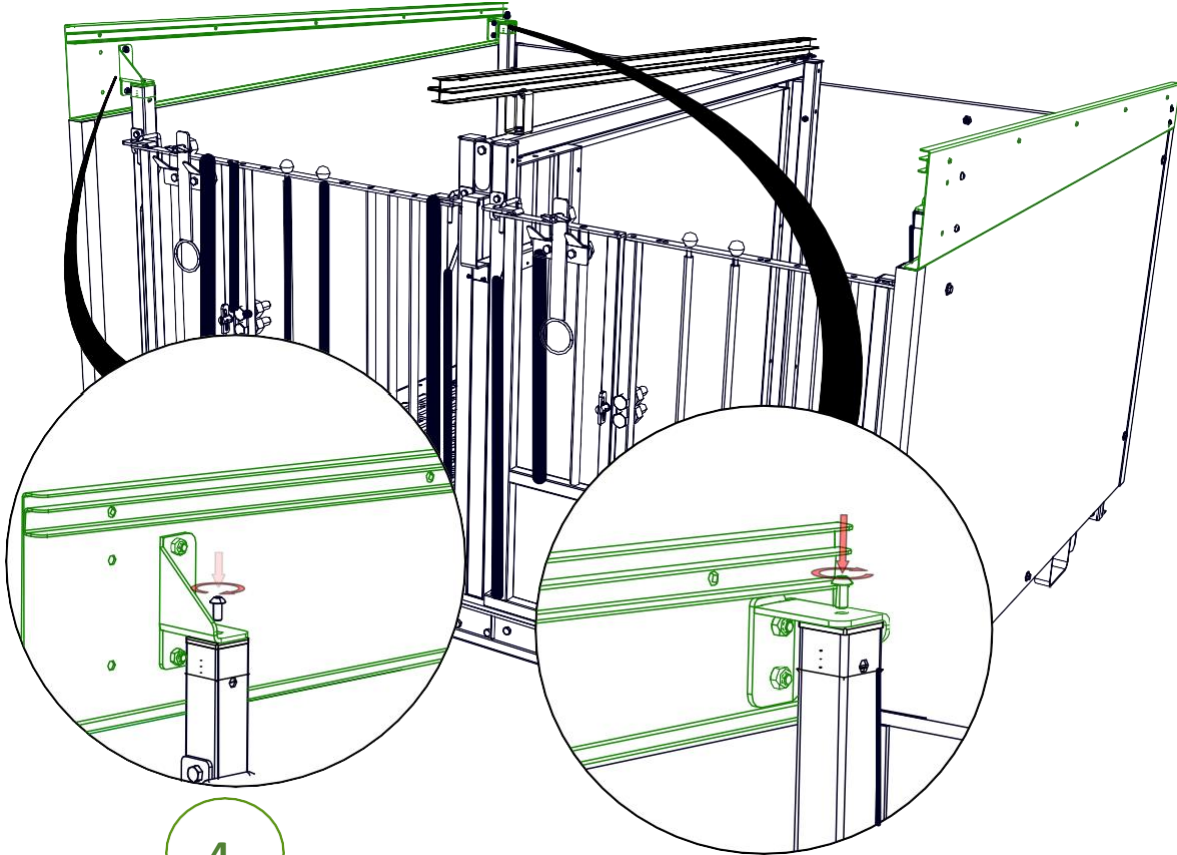
1-3-2022



**1x**  
Sliding roof profile  
– Center

**1x**  
M10x60

**1x**  
M10  
Locknut



**1x**  
Sliding roof profile –  
Left

**4x**  
M10x25

**4x**  
M10  
Locknut

**1x**  
Sliding roof profile –  
Right

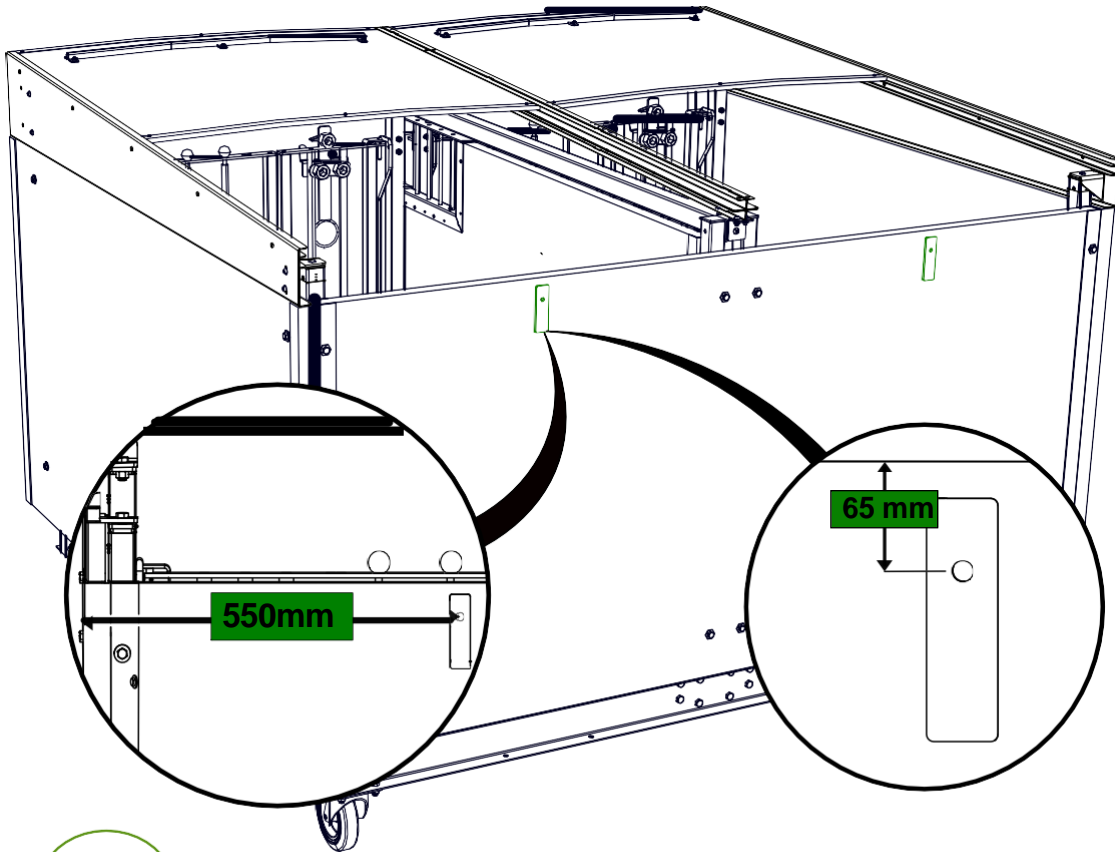
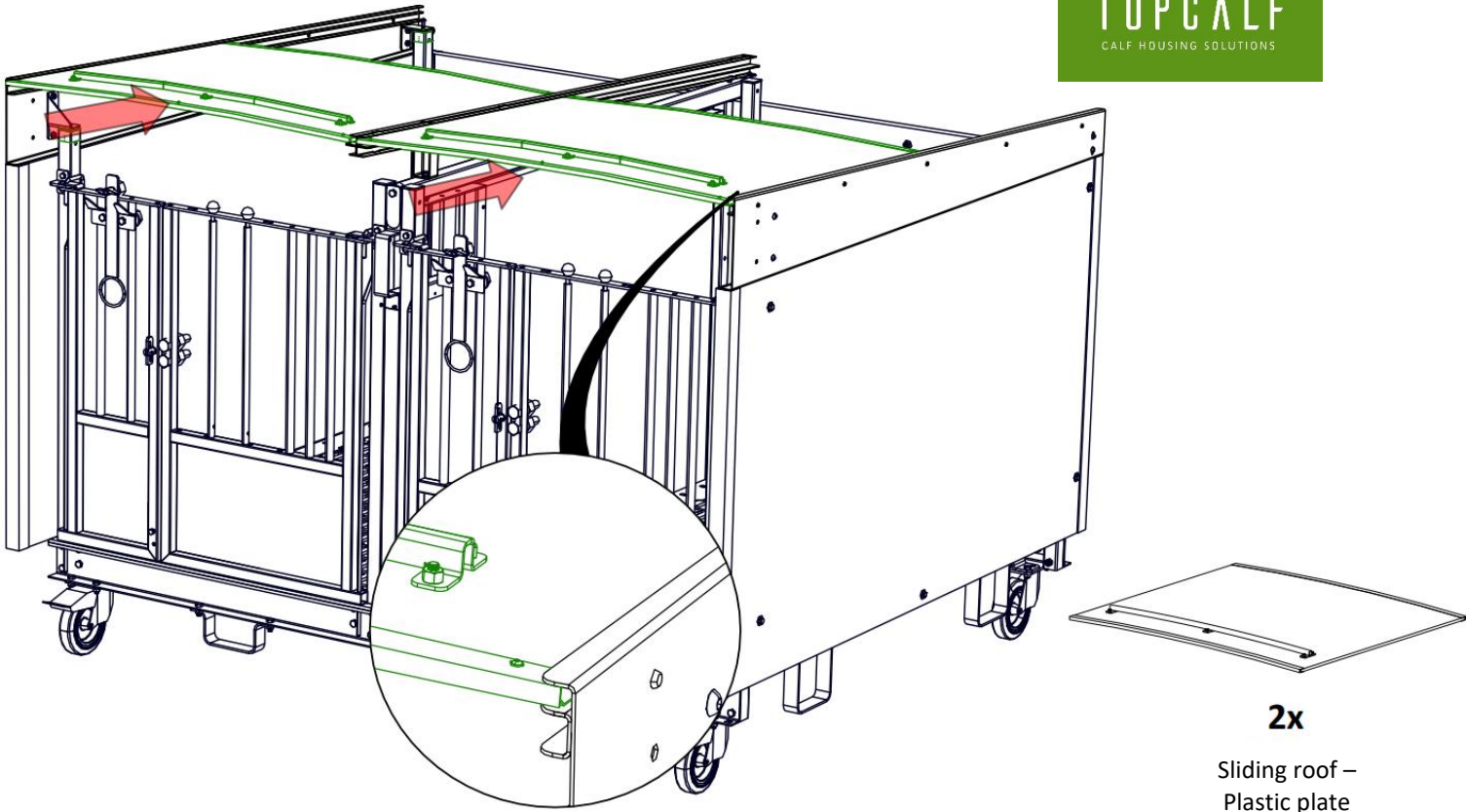
4.

5.

1-3-2022



**TOPCALF**  
CALF HOUSING SOLUTIONS



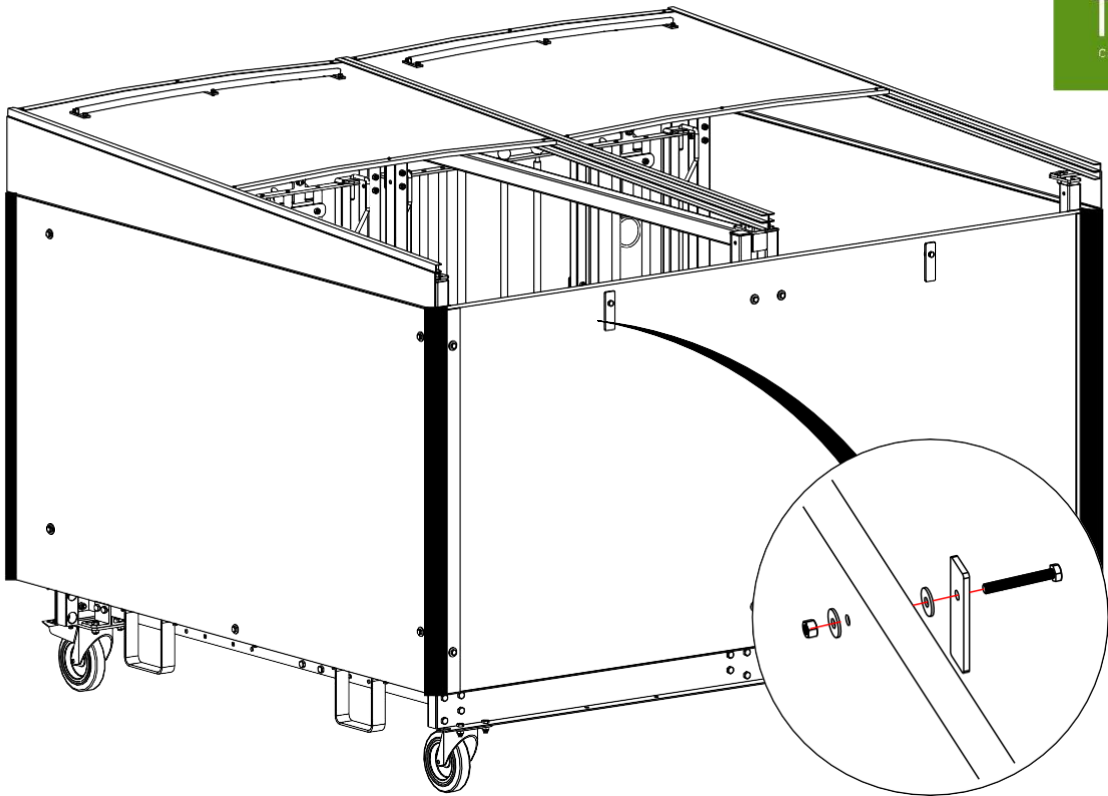
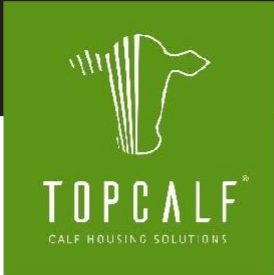
Drill 2 Ø8 mm  
holes in the rear  
wall.

65 mm,  
measured from  
the top edge of  
the rear wall.

6.

7.

1-3-2022



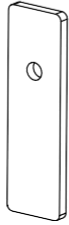
2x  
M8x60



2x  
M8

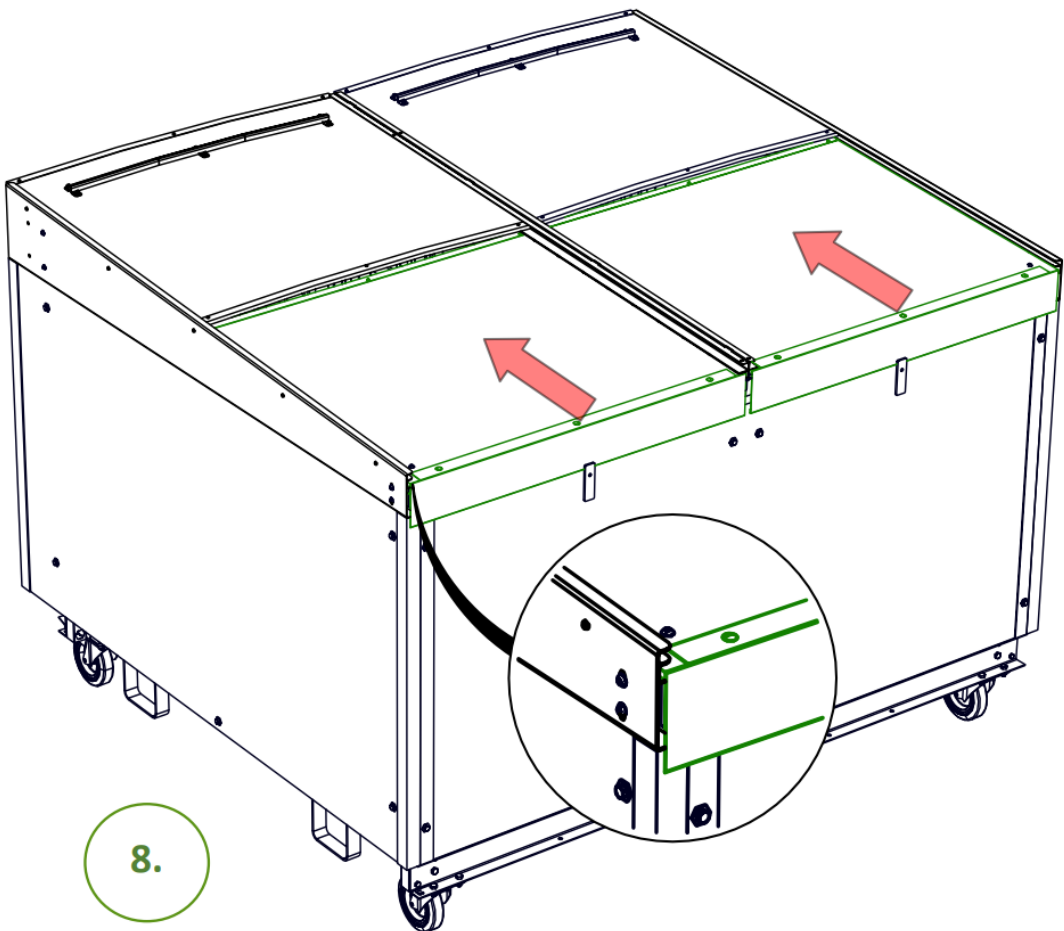


4x  
M8  
Bodywork ring



2x  
Locking strip

8.



2x  
Sliding roof –  
Light Plate